

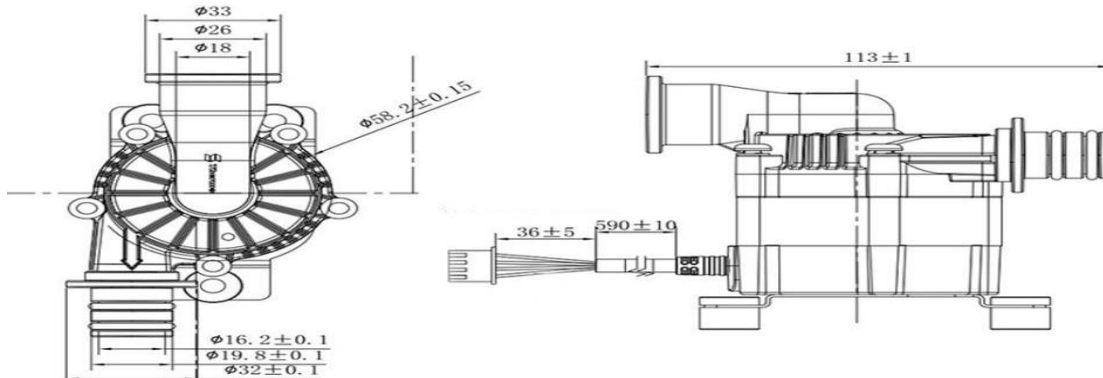
**BLDC PUMP**
**CRP060B**
**SPECIFICATION**


Rated Voltage	24V/36V DC
Rated Current	1.39(1 ± 10%)A
Rated Power	50 (1±10%) W
Max Flow	20L/min ± 1
Max Head	12 ± 1M
Noise	≦ 45dB@1m
Lifetime	≧ 200,000 Times

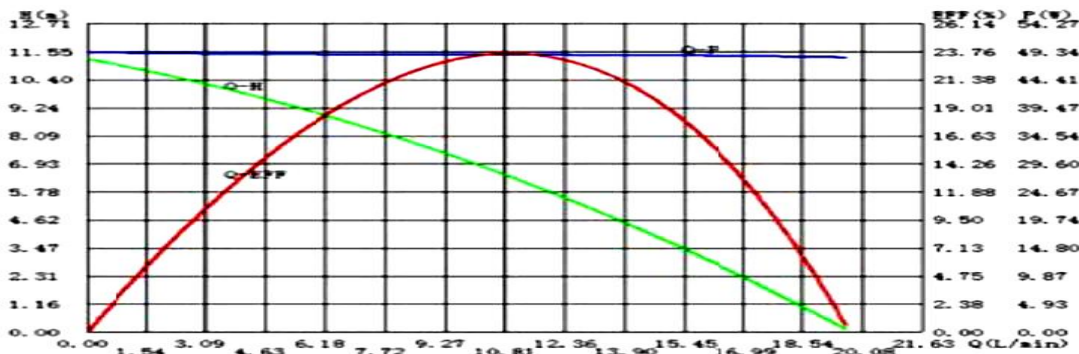
Ambient Temperature	-25~60°C
Medium Temperature	0~85°C
Ambient Humidity	Submersible
Medium	Water
Waterproof Class	IP04
Insulation	H (180°C)
Weight	475g ± 15

**APPLICATION**

- Hot Water Circulation Systems
- Air Source Water Heater
- Dry-running Protection
- Heating Systems
- Solar Water Heater
- Over-current Protection
- Water Recirculation Systems
- Gas Water Heater
- Blocked Protection
- Boosting Applications
- Gas Condensing Boiler
- Over-voltage Protection
- Electric Water Heater
- Cooling System
- Under-voltage Protection
- Instant Water Heater
- General purpose pumping
- Over-temperature Protection
- Electric Shower
- Home circulating system
- Reverse Protection

**FEATURES**
**DIMENSION & CURVE**


Q-EFF:Flow Efficiency Curve  
 Q-H:Lif Flow Curve  
 Q-P:Power Flow Curve


 Visit our site for more details: [www.thermopumpfactory.com](http://www.thermopumpfactory.com)

 For more further info, please mail to [richel@auto-thermo.com](mailto:richel@auto-thermo.com)